



BAUER ENGINEERING

G. M. B. H.

ENGINEERING MAKES THE DIFFERENCE

CLERMONT-FERRAND-ALLEE 36

D-93049 REGENSBURG

TEL 0941/29638 – 0, FAX – 90

EMAIL info@bauer-eng.de

INTERNET <http://www.bauer-eng.de>

POF (Plastic Optical Fiber) Meters

FPM = Fiber Power Meter

PM = Power Meter

AM = Attenuation Meter

Datasheet - Version V1.2, Date: 26.01.2007



Figure 1a: FPM dual optical channel



Figure 1b: AM Attenuation meter (AM = FPM + PM)

POF Meters configurations

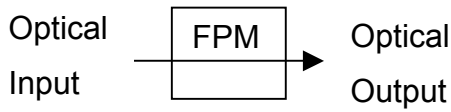


Fig. 2a: **FPM = Fiber Power Meter**

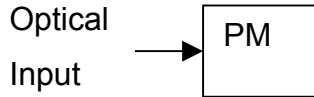


Fig. 2b: **PM = Power Meter**

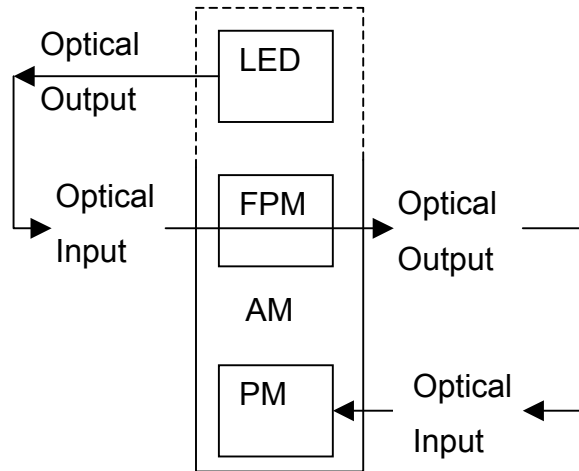


Fig. 2c: **AM = Attenuation Meter**

Configuration table

Configuration	Opt. Inputs per 1 opt. channel	Opt. Outputs per 1 opt. Channel	Optical channels	LED Source
FPM	1	1	1 or 2	Possible
PM	1	–	1 or 2	Possible
AM	2	1	2 (FPM+PM)	Useful

Specification:

- Wavelength: 650 nm
- Attenuation: < 3 dB
- Measurement mode: absolute value measurement (dBm)
input or output (configurable)
- Light power functions: actual, average (displayed), minimum, maximum
- Measurement period: 4 times per second
- Measurement range: + 10,00 ~ approx. - 35.00 dBm
- Resolution: 0,01 dBm
- Accuracy: ±0,2dB (=5% in Watt)
- Display: 2 x 8 character backlight LCD
- Displayed value: measurement mode, average light power, address, LED power, Attenuation
- Interface: 2x RS232 (9600bps, 8 bit, 1 stop, no parity)
- ID address: '0' ~ '9', 'A' ~ 'F'



(adjustable at the bottom of the device)

- Special functions: beep function (configurable)
LCD background (configurable)
controlled LED source

Technical data

- Accessories: Plug-in Power Supply, 230VAC / 9VDC, 50Hz, 9VA
- Housing: Plastic, 50 x 100 x 25 mm
- Optics: Fiber: Plastic, diameter 1000/1520/2300 μm
Length approx. 1m (resp. customer specified)
Connectors: FSMA (resp. customer specified)
- Power: Voltage: 9 VDC, 65 mA (LCD light off), 115 mA (LCD light on)
Connector: Low voltage 5,1 mm
- Temperature: 15 ~ 35 °C
- Weight: 120 g

More information find in operating manual.

Specification are subject to change without notice.